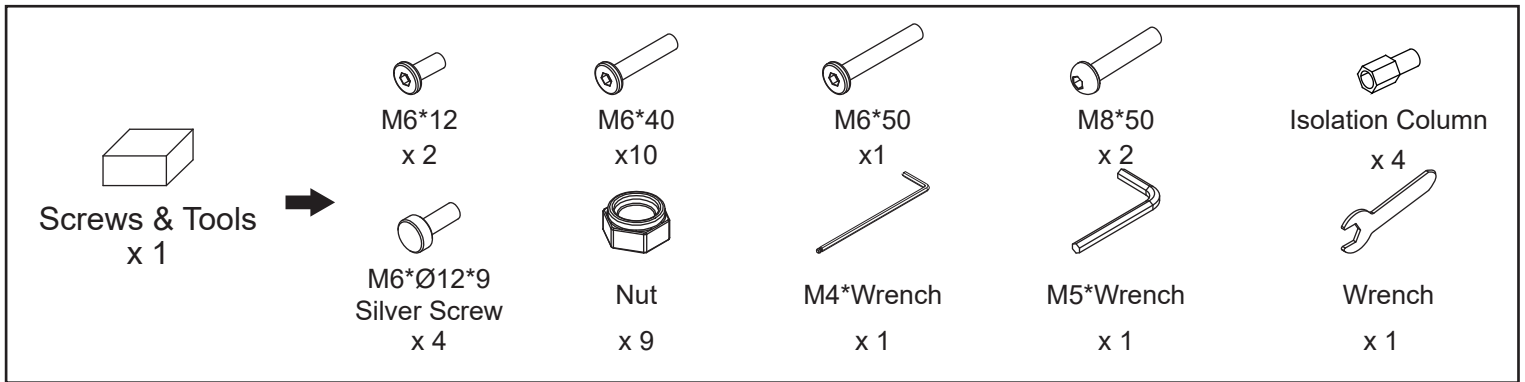
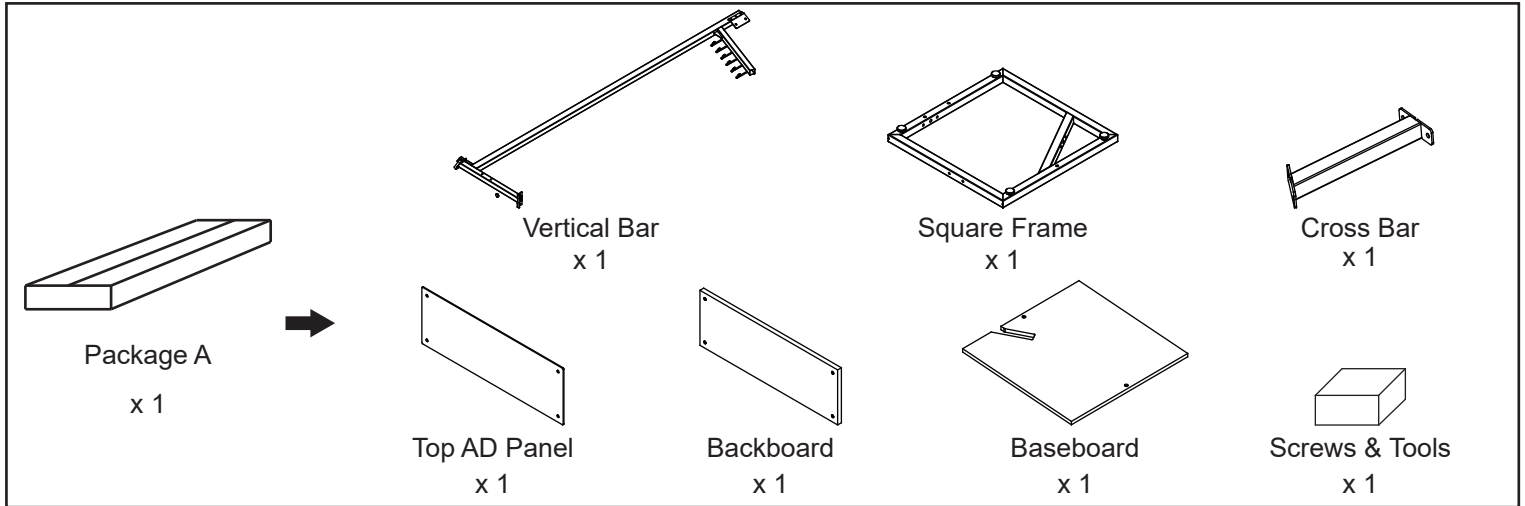


Stand Installation Guide



SAFETY GUIDELINES



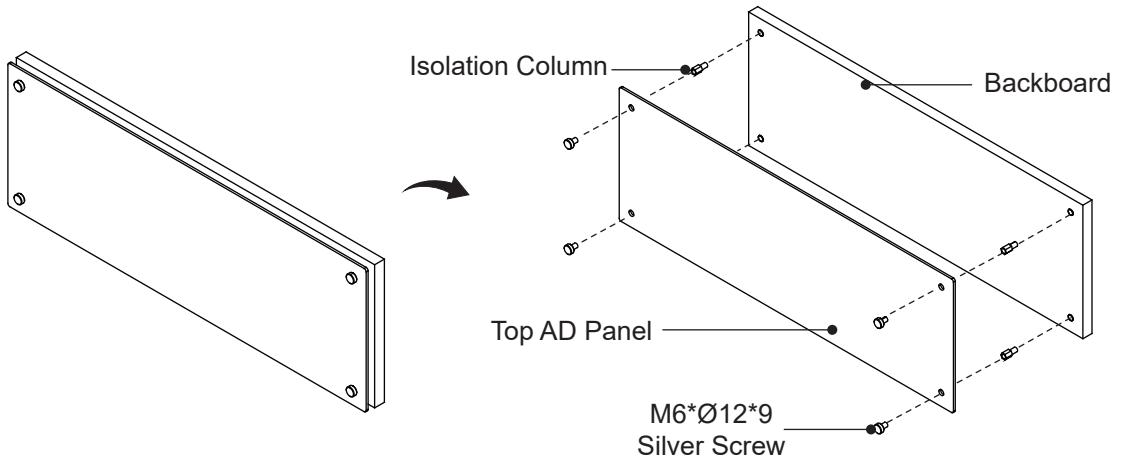
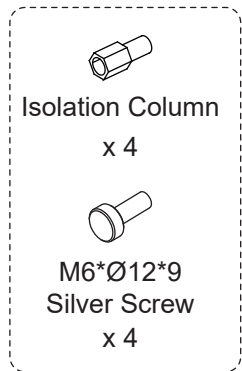
Install in a level and stable location.

Assemble display in the area it will occupy.
Never attempt to move display after loading.

Unload display before relocating unit.
Failure to do this may result in damage or injury.

Two people preferred to set up display.

Change advertising screen:



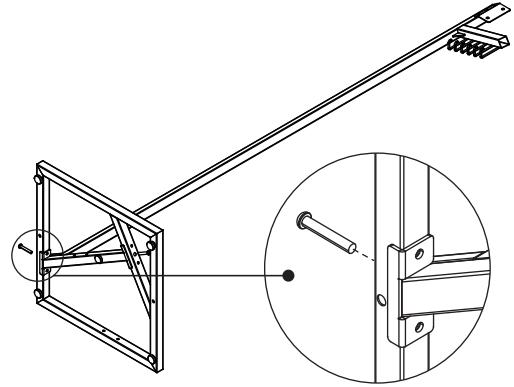
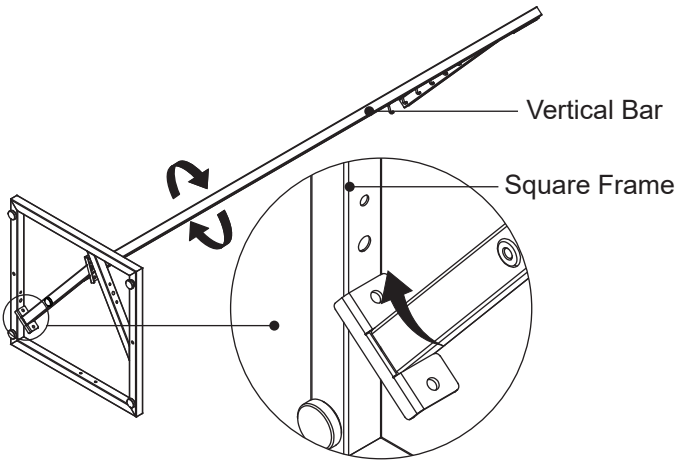
Installation steps :

NOTICE !!!

Refer to the picture to install the parts.

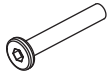


M8*50
x 2



Step 1 :

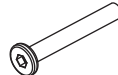
Step 2 :



M6*40
x 4



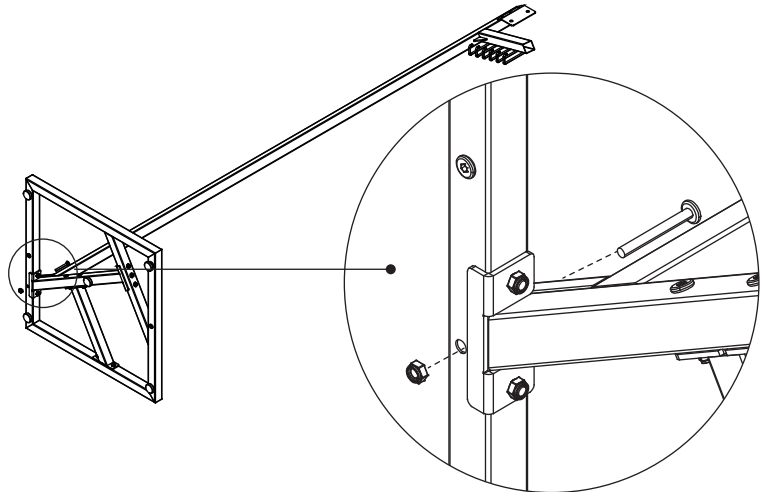
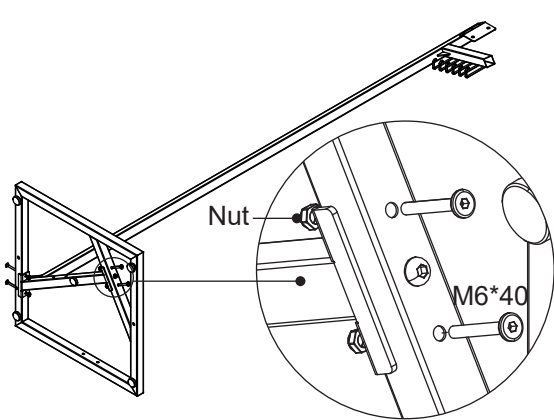
Nut
x 4



M6*50
x 1

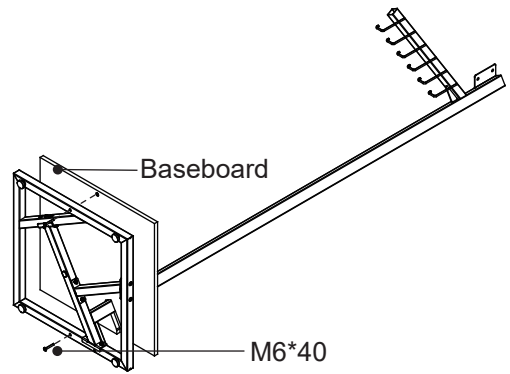
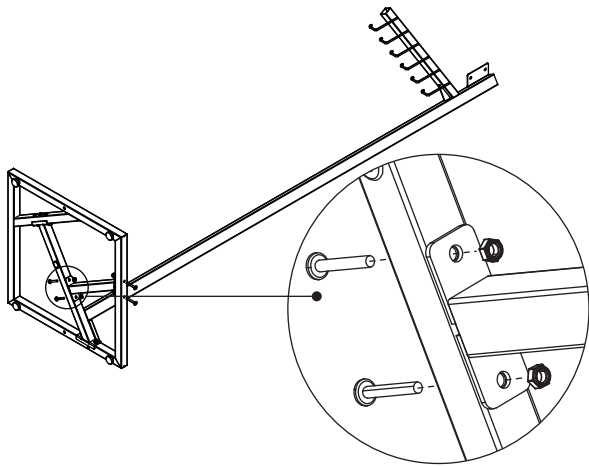
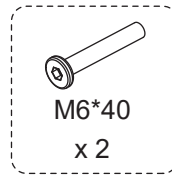
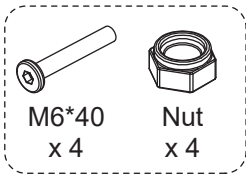


Nut
x 1



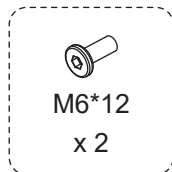
Step 3 :

Step 4 :

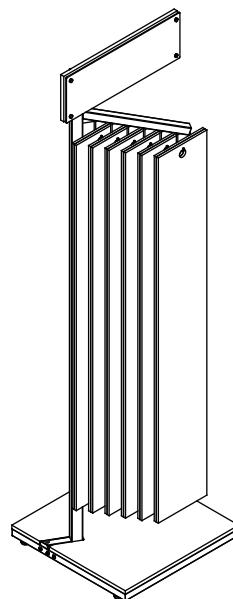
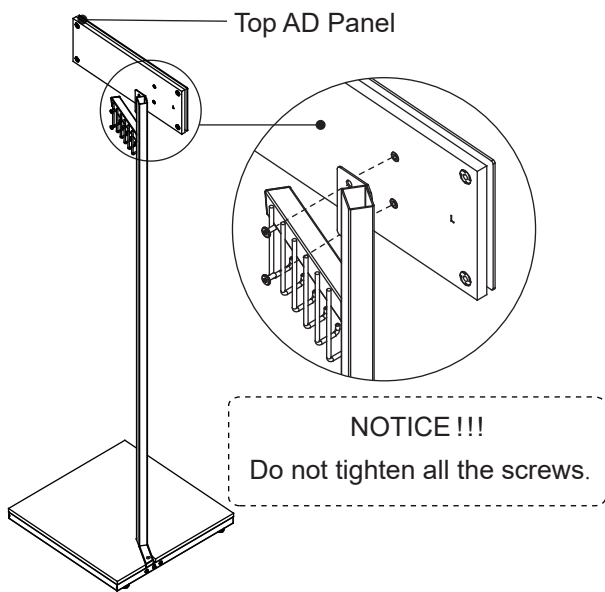


Step 5 :

Step 6 :



NOTICE !!!
Adjust the adjustable screws to keep the stand horizontally.



Step 7 :

Step 8 :